

PROPRIETARY & CONFIDENTIAL. UNPUBLISHED WORK COPYRIGHT PRO AIR LLC. PRO AIR, LLC CLAIMS PROPRIETARY RIGHTS IN THE MATERIAL DISCLOSED HEREON. NEITHER THIS DRAWING NOR ANY REPRODUCTION OR PORTION THEREOF MAY BE DISTRIBUTED OR USED TO MANUFACTURE ANYTHING SHOWN HEREON WITHOUT PERMISSION IN WRITING FROM PROAIR, LLC.

REV. D

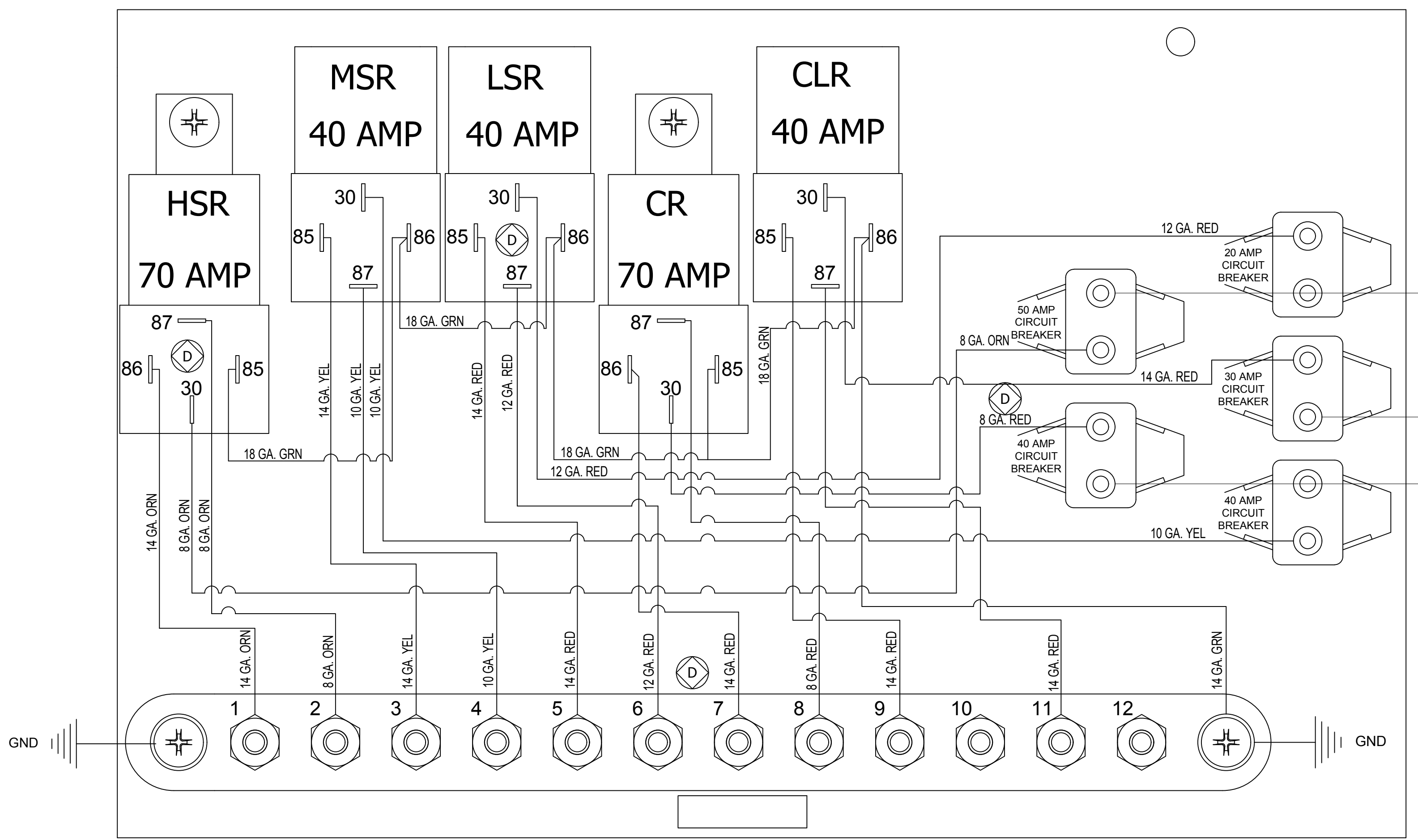
REV	ECR#	REVISION DESCRIPTION	BY	DATE
D	14-171	UPDATE SPEC ON 70A RELAY V2134-J1052-X439; WIRE GA ON CR FROM 10GA BLK TO 8GA RED	DAS	12/16/14
C	14-019	ADDED ITEM 22, PART NUMBER LABEL	MRM	1/22/14
B	11-202	REPLACED 60A FUSE WITH 50A BREAKER	MRM	9/8/11
A	11-145A	RELEASED TO PRODUCTION	MRM	7/15/11

SIGNATURES		DATE
DRAWN	MRM	7/6/2011
CHECKED	RAI	12/17/2014
APPROVED		



TITLE:	RELAY BOARD, EZ 91
USAGE:	

PART NO.	01 000 631
SCALE:	1/2
SIZE	C
SHEET	2
OF	3



REV D NOTES: SWAPPED THE COIL TERMINAL WIRES SUCH THAT THE GROUND GOES TO TERMINAL 85 AND THE SWITCHED 12V GOES TO TERMINAL 86 ON THE 70A RELAYS, (HSR & CR).

PROPRIETARY & CONFIDENTIAL. UNPUBLISHED WORK COPYRIGHT PRO AIR LLC. PRO AIR, LLC CLAIMS PROPRIETARY RIGHTS IN THE MATERIAL DISCLOSED HEREON. NEITHER THIS DRAWING NOR ANY REPRODUCTION OR PORTION THEREOF MAY BE DISTRIBUTED OR USED TO MANUFACTURE ANYTHING SHOWN HEREON WITHOUT PERMISSION IN WRITING FROM PROAIR, LLC.

REV. D

REV	ECR#	REVISION DESCRIPTION	BY	DATE
D	14-171	UPDATE SPEC ON 70A RELAY V2134-J1052-X439; WIRE GA ON CR FROM 10GA BLK TO 8GA RED	DAS	12/16/14
C	14-019	ADDED ITEM 22, PART NUMBER LABEL	MRM	1/22/14
B	11-202	REPLACED 60A FUSE WITH 50A BREAKER	MRM	9/8/11
A	11-145A	RELEASED TO PRODUCTION	MRM	7/15/11

SIGNATURES	DATE
DRAWN MRM	7/6/2011
CHECKED RAI	12/17/2014
APPROVED	



TITLE:	RELAY BOARD, EZ 91
USAGE:	

PART NO.	01 000 631
SCALE:	SIZE C
SHEET 3	OF 3