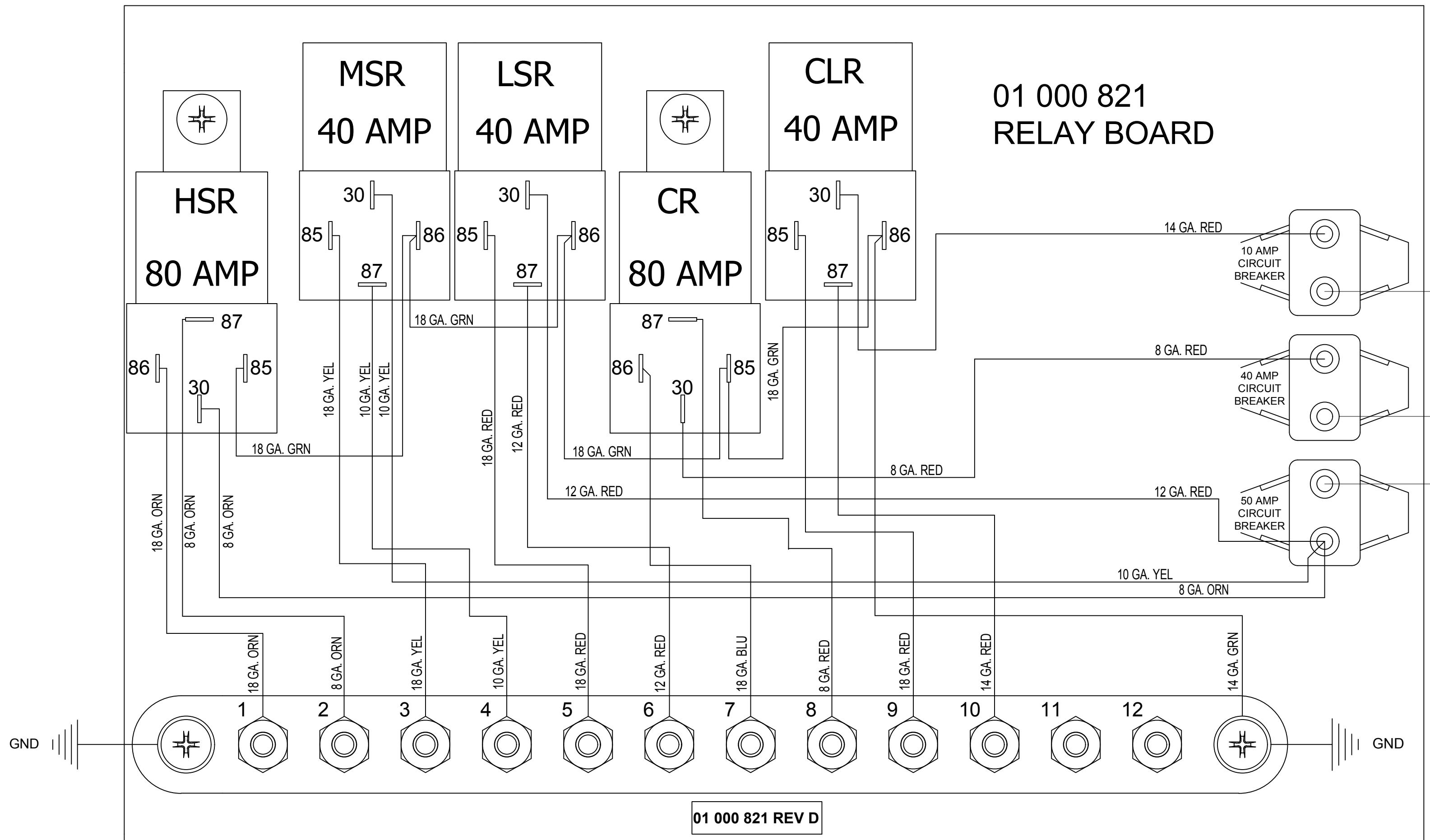


PROPRIETARY & CONFIDENTIAL. UNPUBLISHED WORK COPYRIGHT PRO AIR LLC. PRO AIR, LLC CLAIMS PROPRIETARY RIGHTS IN THE MATERIAL DISCLOSED HEREON. NEITHER THIS DRAWING NOR ANY REPRODUCTION OR PORTION THEREOF MAY BE DISTRIBUTED OR USED TO MANUFACTURE ANYTHING SHOWN HEREON WITHOUT PERMISSION IN WRITING FROM PROAIR, LLC.

REV. D

D 16-010		RELEASED TO PRODUCTION		CEB	1/13/16	 2900 COUNTY RD 6 W ELKHART, IN 46514	TITLE: RELAY BOARD, EZ 3, 4, 5, 9, 91		PART NO. 01 000 821	
LET.	NO.	REVISION		BY	DATE		APPROVED	USAGE: X	SCALE: 1/2	SIZE A
								SHEET 2 OF 3		



01 000 821 REV D

NOTE: NEW PART NUMBER IS DUE TO THE COIL TERMINAL WIRES BEING REVERSED WITH THE NEW TYCO RELAY SUCH THAT THE GROUND GOES TO TERMINAL 85 AND THE SWITCHED 12V GOES TO TERMINAL 86 ON THE 70A RELAYS, (HSR & CR).

PROPRIETARY & CONFIDENTIAL. UNPUBLISHED WORK COPYRIGHT PRO AIR LLC. PRO AIR, LLC CLAIMS PROPRIETARY RIGHTS IN THE MATERIAL DISCLOSED HEREON. NEITHER THIS DRAWING NOR ANY REPRODUCTION OR PORTION THEREOF MAY BE DISTRIBUTED OR USED TO MANUFACTURE ANYTHING SHOWN HEREON WITHOUT PERMISSION IN WRITING FROM PROAIR, LLC.

REV. D

D 16-010		RELEASED TO PRODUCTION		CEB	1/13/16	 2900 COUNTY RD 6 W ELKHART, IN 46514	TITLE: RELAY BOARD, EZ 3, 4, 5, 9, 91,		PART NO. 01 000 821	
LET.	NO.	REVISION		BY	DATE		APPROVED	USAGE: X	SCALE: 1/2	SIZE A
									SHEET 3	OF 3