

BUS AIR CONDITIONING

ACT

CR-2 CONDENSER

THE A.C.T. **CR-2** CONDENSER IS DESIGNED FOR ROOF MOUNT APPLICATIONS. WE HAVE MANUFACTURED THIS PRODUCT TO OFFER OUR CUSTOMERS GREATER FLEXIBILITY IN CONDENSER PLACEMENT.

IT'S LOW PROFILE DESIGN, HIGH PERFORMANCE, SERVICEABILITY, AND INSTALLATION EASE ARE THE RESULT OF MANY YEARS' EXPERIENCE IN THE TRANSPORTATION INDUSTRY.

ADVANCED FEATURES

- Low Profile Aerodynamic Design
- Heavy Duty, Durable UV Capped ABS Cover
- Lightweight, Rust Proof Aluminum Powder Coated Frame
- Internally Enhanced Copper Tubing
- Unequaled Heat Rejection....
 - Lower Cooling Temperatures
 - Lower Head Pressures
- 12 Inch Diameter Fan for Increased Airflow
- Sealed Motor Design
- Sealed Electrical Connections

OPTIONS

- Optional Mounting Rails for Curved or Flat top Roofs
- 12 Volt or 24 Volt Motors
- Branch Guard

**2 YEAR
LIMITED WARRANTY**

AMERICAN COOLING TECHNOLOGY, Inc.

www.actusa.us.com

715 Willow Springs Lane, York, PA 17406

Tel: 717.767.2775 ~ Fax: 717.767.3658

Toll Free: 877.228.4247



SPECIFICATIONS

RATING: Up to 70,000 Btu/Hr IMACA, (34,000 Btu/Hr ARI)

AIRFLOW: 2460 cfm

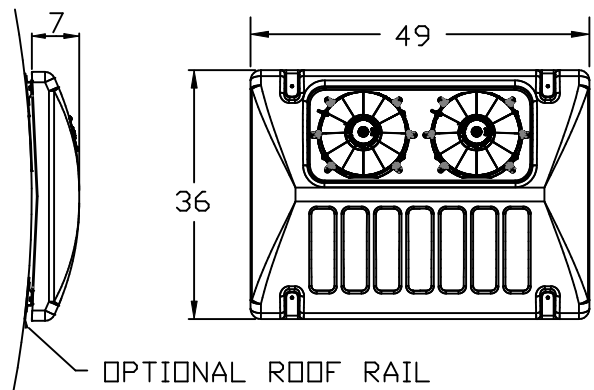
**AMPERAGE DRAW: 23 Amps @ 13.5 Volts
11 Amps @ 27 Volts**

CONDENSER FANS: 12 Inch Diameter Sealed Motors

FILTER DRIER/SIGHTGLASS: 16 Cu. Inch Displacement w/ Moisture Indicator

WEIGHT: 43 lbs.

Specifications subject to change without notice.



ACT

"SUCCESS THROUGH SIMPLICITY"

RELY ON OUR EXPERIENCE TO PROPERLY APPLY YOUR BUS AIR CONDITIONING SYSTEM